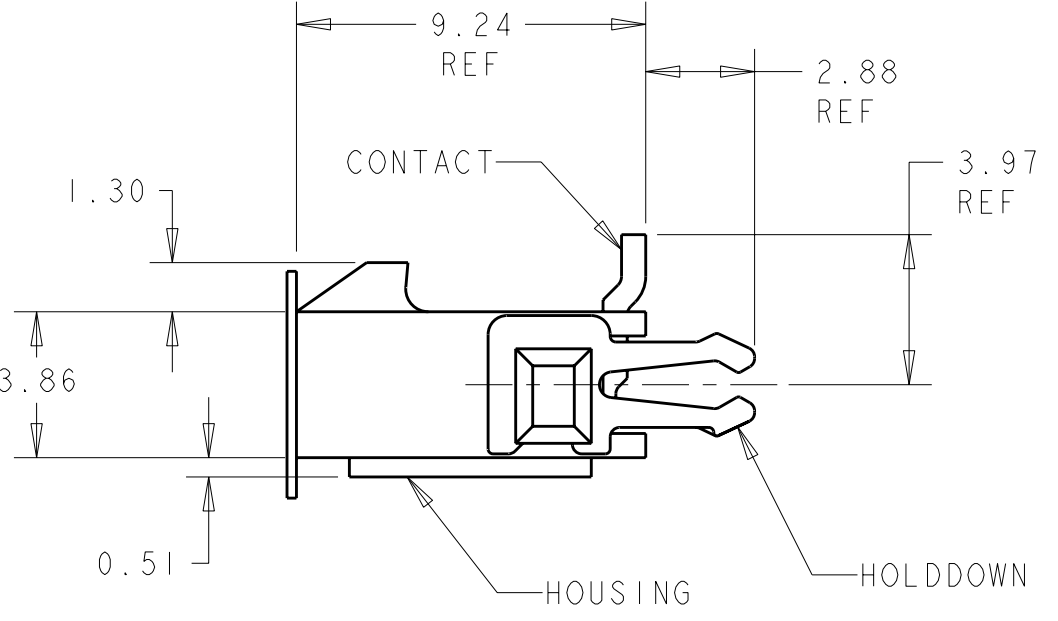
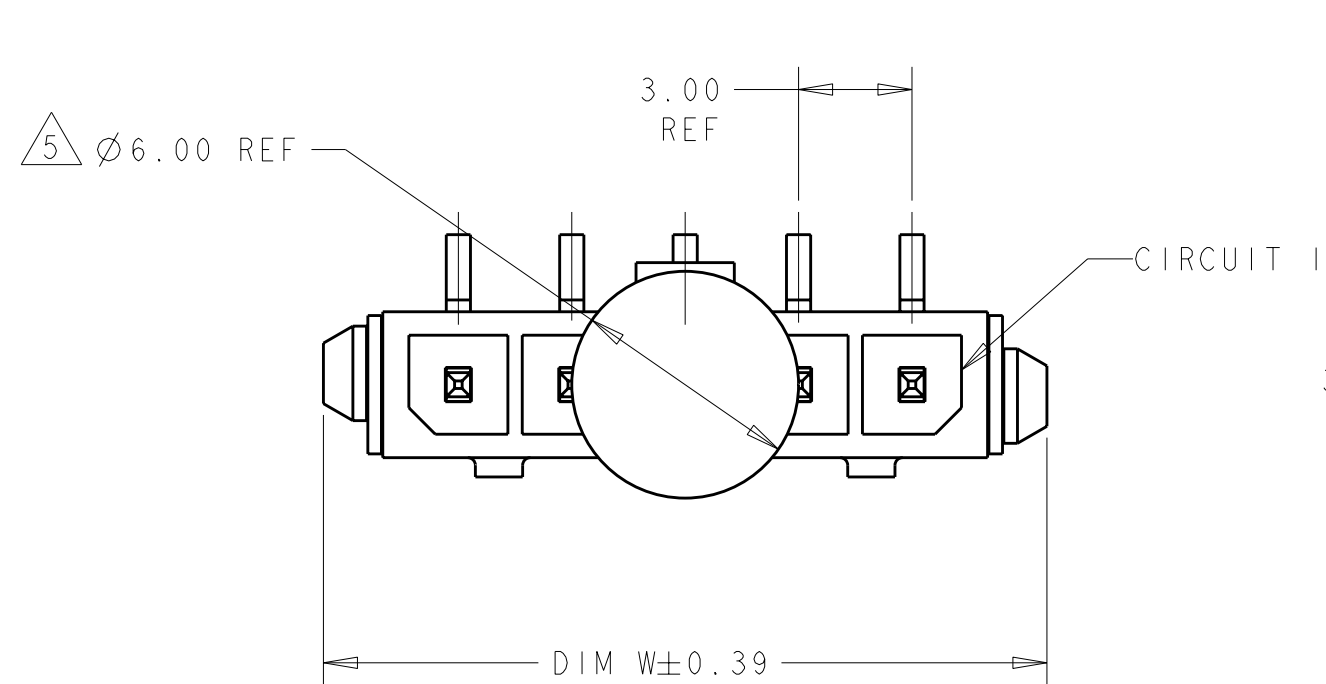
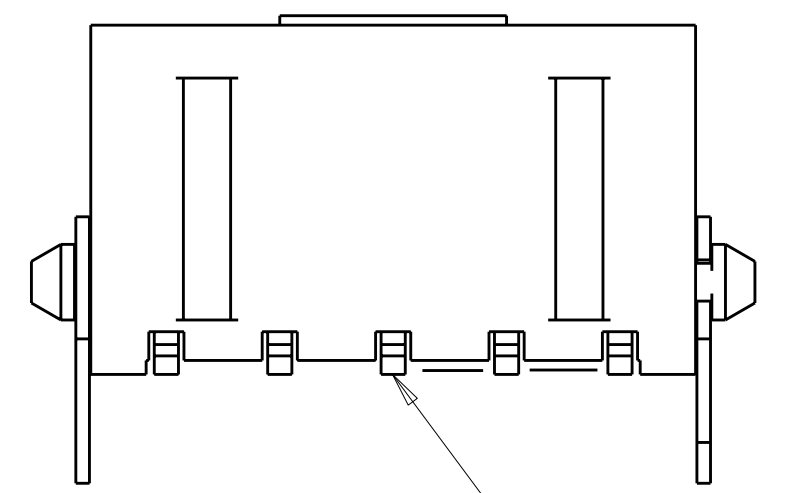


THIS DRAWING IS UNPUBLISHED. RELEASED FOR PUBLICATION 20
 © COPYRIGHT 20 BY TYCO ELECTRONICS CORPORATION. ALL RIGHTS RESERVED.

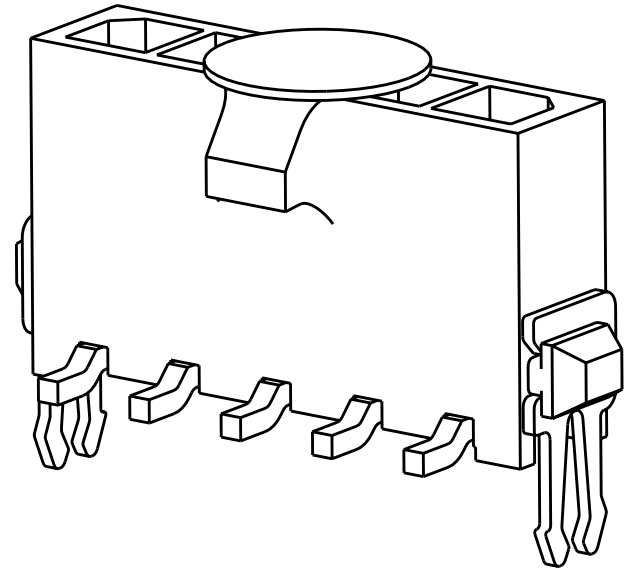
REVISIONS					
P	LTR	DESCRIPTION	DATE	DWN	APVD
C		REVISED PER ECO-08-009599	16JUL2008	HMR	CJ



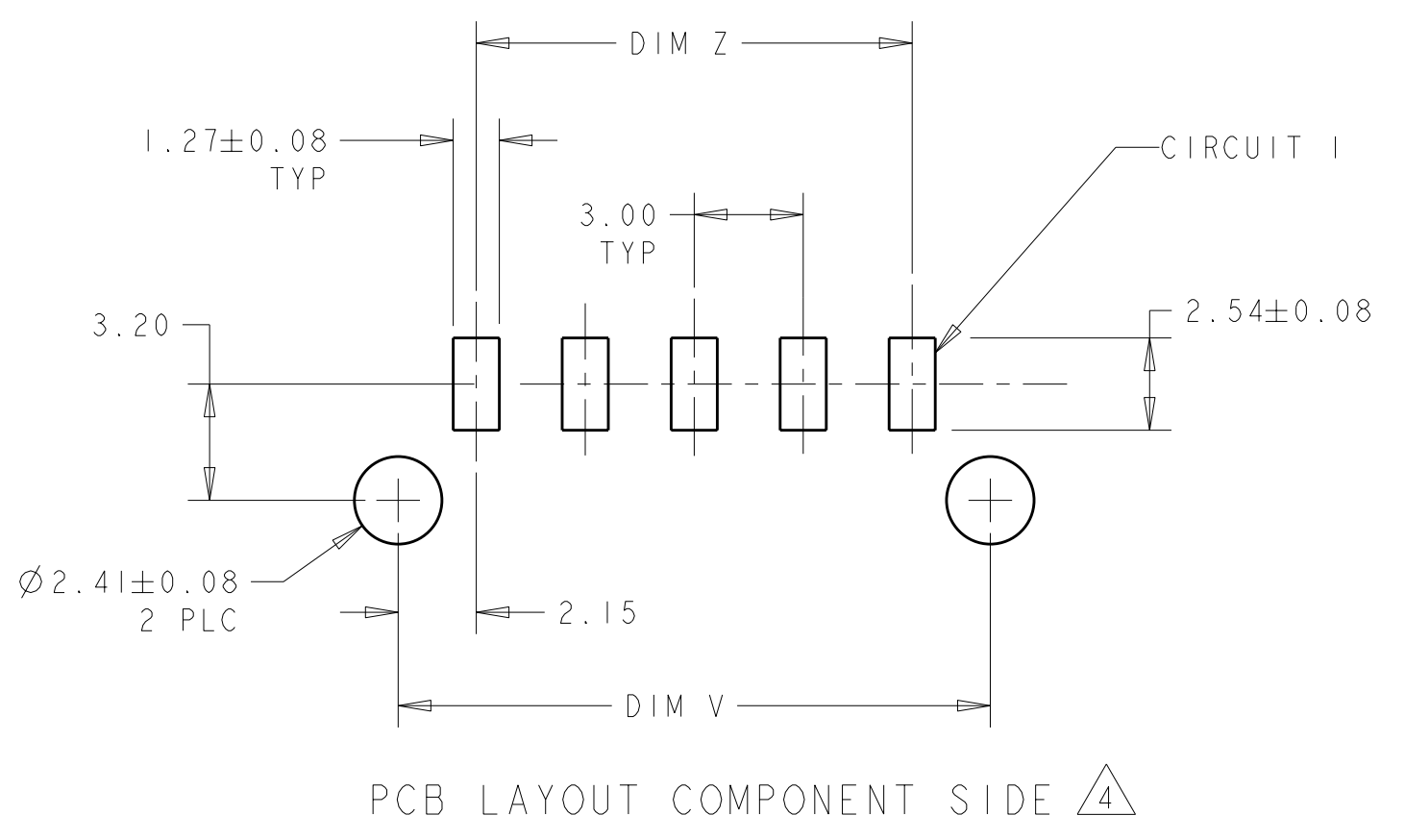
- 1 MATERIAL: CONTACTS - BRASS
HOUSING - UL 94V-0 RATED HIGH TEMP NYLON, COLOR BLACK.
HOLDDOWNS: - PHOSPHOR BRONZE.
- 2 PLATING: CONTACTS - 2.54µm MINIMUM TIN-LEAD OVER 1.27µm MINIMUM NICKEL.
HOLDDOWNS: 2.54µm MINIMUM TIN-LEAD OVER 1.27µm MINIMUM NICKEL.
- 4 RECOMMENDED PC BOARD THICKNESS OF 1.57.
- 5 KAPTON VACUUM PICK UP BUTTON.
- 6 PLATING: CONTACTS - 2.54µm MINIMUM MATTE TIN OVER 1.27µm MINIMUM NICKEL.
HOLDDOWNS: 2.54µm MINIMUM MATTE TIN OVER 1.27µm MINIMUM NICKEL.



0.15
INCLUDES CONTACT TAILS AND HOUSING STANDOFFS



6	33.00	37.43	40.00	12	3-1445052-2
6	30.00	34.43	37.00	11	3-1445052-1
6	27.00	31.43	34.00	10	3-1445052-0
6	24.00	28.43	31.00	9	2-1445052-9
6	21.00	25.43	28.00	8	2-1445052-8
6	18.00	22.43	25.00	7	2-1445052-7
6	15.00	19.43	22.00	6	2-1445052-6
6	12.00	16.43	19.00	5	2-1445052-5
6	9.00	13.43	16.00	4	2-1445052-4
6	6.00	10.43	13.00	3	2-1445052-3
6	3.00	7.43	10.00	2	2-1445052-2
2	33.00	37.43	40.00	12	1-1445052-2
2	30.00	34.43	37.00	11	1-1445052-1
2	27.00	31.43	34.00	10	1-1445052-0
2	24.00	28.43	31.00	9	1445052-9
2	21.00	25.43	28.00	8	1445052-8
2	18.00	22.43	25.00	7	1445052-7
2	15.00	19.43	22.00	6	1445052-6
2	12.00	16.43	19.00	5	1445052-5
2	9.00	13.43	16.00	4	1445052-4
2	6.00	10.43	13.00	3	1445052-3
2	3.00	7.43	10.00	2	1445052-2
FINISH	DIM Z	DIM V	DIM W	NO. OF POSN	PART NUMBER



PCB LAYOUT COMPONENT SIDE 4

METRIC

THIS DRAWING IS A CONTROLLED DOCUMENT FOR TYCO ELECTRONICS CORPORATION. IT IS SUBJECT TO CHANGE AND THE CONTROLLING ENGINEERING ORGANIZATION SHOULD BE CONTACTED FOR THE LATEST REVISION.		DWN J. ROOT 07OCT2000	Tyco Electronics Harrisburg, PA 17105-3608	
DIMENSIONS: mm		CHK K. WHITAKER 20-FEB-2001	NAME VERTICAL SURFACE MOUNT HEADER ASSY TIN CONTACTS, W/THRU HOLE HOLDDOWNS, SINGLE ROW, MICRO MATE-N-LOK™	
TOLERANCES UNLESS OTHERWISE SPECIFIED: 0 PLC ± 1 PLC ± 2 PLC ±0.13 3 PLC ± 4 PLC ± ANGLES ± FINISH		APVD C. JONES 20-FEB-2001	SIZE A200779	
MATERIAL SEE TABLE		PRODUCT SPEC - APPLICATION SPEC - WEIGHT -	DRAWING NO C-1445052	
		CUSTOMER DRAWING	SCALE 5:1	SHEET 1 OF 1